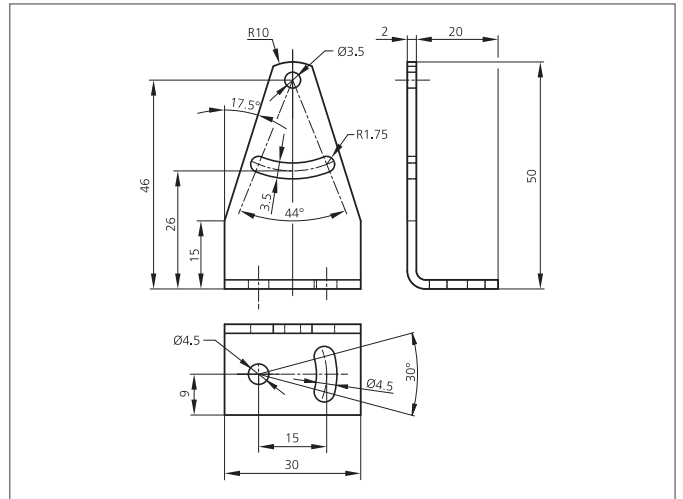
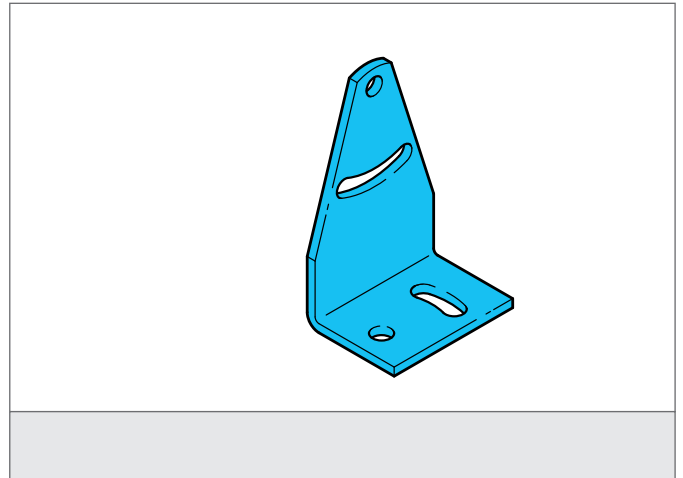


# BW 41 Mounting Bracket

- Adjustable
- Robust design



### TECHNICAL INFORMATION (typ.)

Hole spacing	20 mm
Mounting hole	$\varnothing 3,5$ mm
Casing material	metal